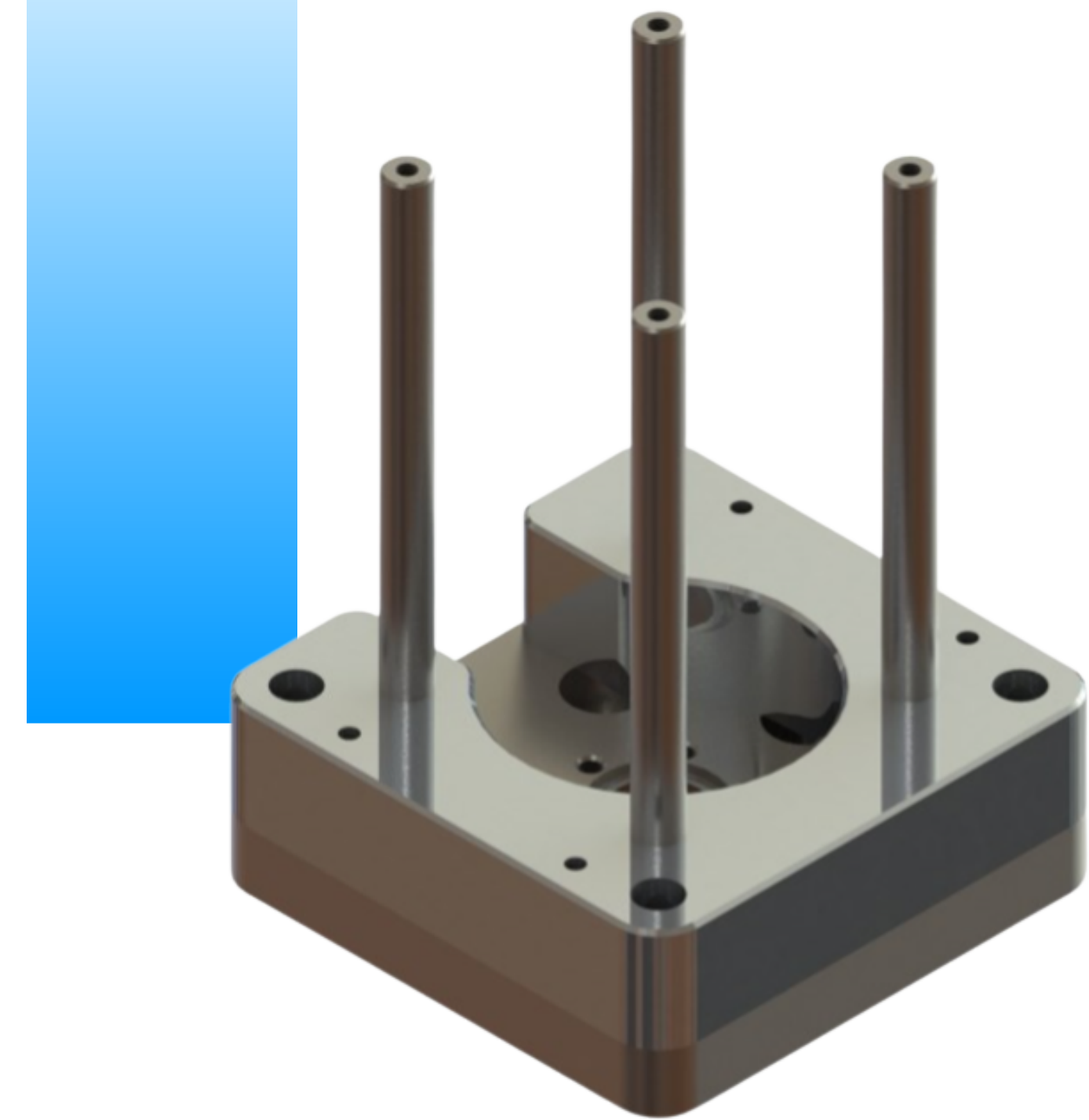


Mount Assembly

Coil PICAS Assembly Component

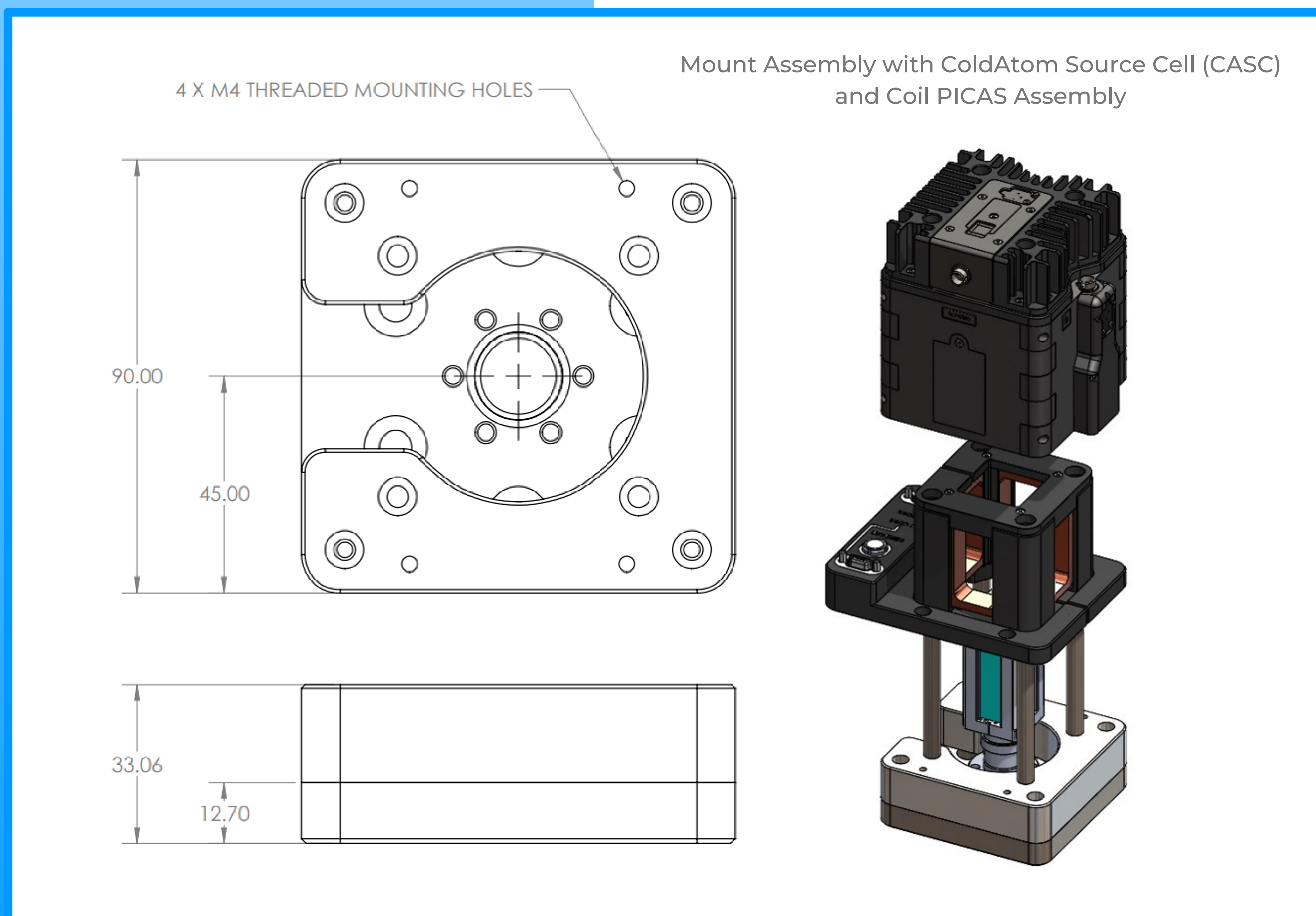
Mount for Adjustable PICAS Assembly
Intended for use with standard length CASC
Rod assisted design for quick and easy
Mounting of the adjustable PICAS assembly



Description

The Mount Assembly (designed to be used with the ColdQuanta Coil PICAS, is a connector that allows for the mounting of the Coil PICAS assembly over the ColdQuanta CASC (Cold Atom Source Cell).

Dimensions



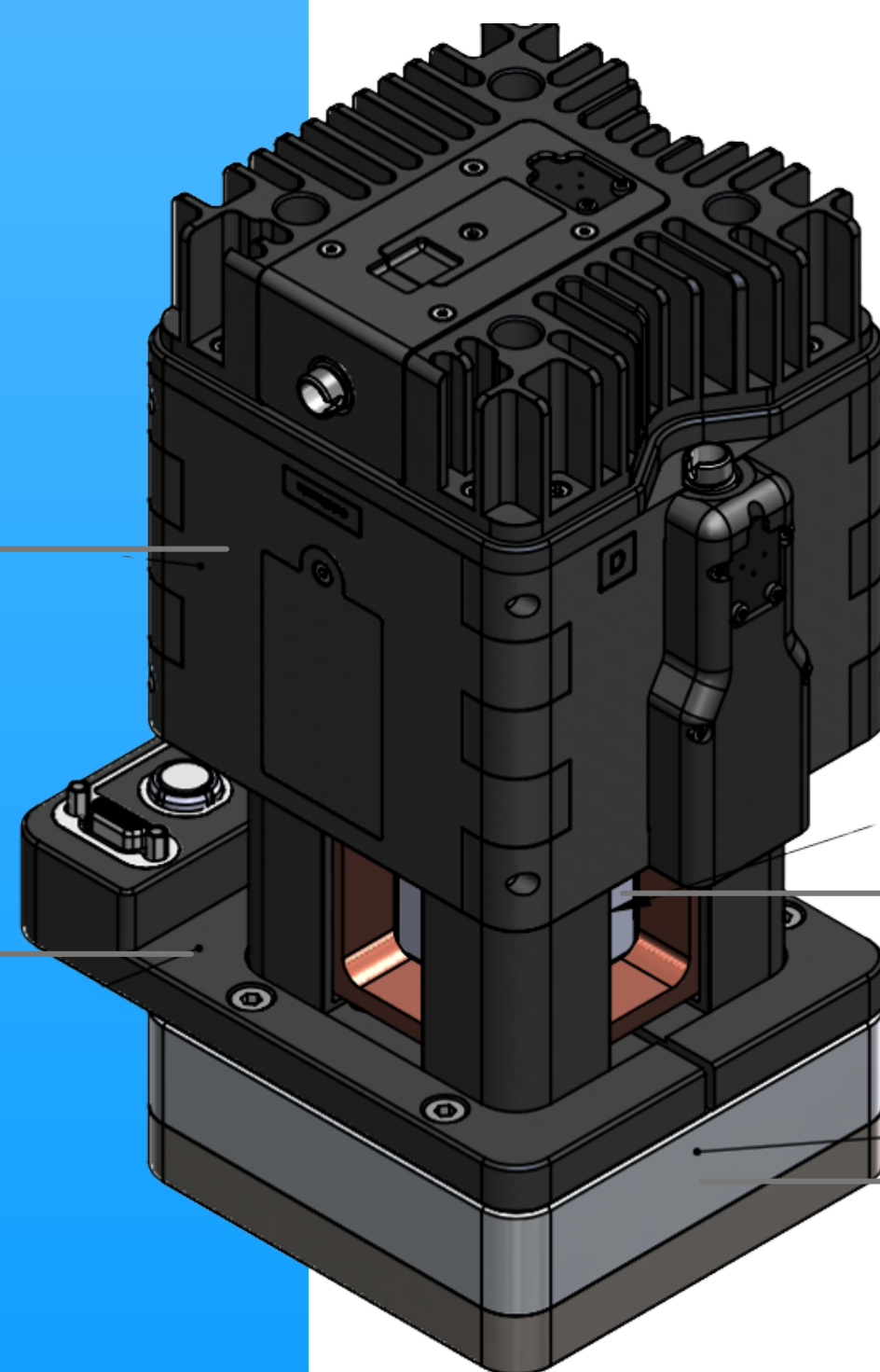
Coil PICAS

Photonicallly Integrated Cold Atom Source

Accompanying Products

Optical Sub-Assembly
(CPXXXAM2S)

Coil Sub-Assembly
(CAMAPA)



Cold Atom Source Cell (CASC)
(Not Included)

Mount Assembly
(CAAMPA)(Not Included)